

6 Element Yagi 155 - 175 MHz



Model #: 104A-YA6-39H-5
DS040614

Description

- A 3-element VHF Yagi antenna for PMR/Trunked Radio and Broadcast applications.
- Produced to the highest quality standards, these robust antenna designs will ensure reliable operation in harsh environmental conditions.



Electrical Specifications

Parameter	Value
Model	104A-YA6-39H-5
Frequency	155 - 175 MHz
Max. Input Power	150 W
Polarisation	Linear (Vertical or Horizontal)
3 dB Beamwidth, E-Plane	56°
3 dB Beamwidth, H-Plane	64°
Impedance	50 Ω
Gain	8.5 dBd / 10.7 dBi
VSWR	< 1.5:1
Front-To-Back Ratio	> 16 dB
Antistatic Protection	All metal parts DC-grounded (Connector shows a DC-short)

Mechanical Specifications

Parameter	Value
Connection(s)	N(f) on 3m RG213/U cable
Materials	Boom, 32 mm dia. aluminum elements, 12.7 mm dia. aluminum balun, Fully molded enclosure
Length	Approx. 2470 mm / 97.24 in.
Wind Load	187 N (160 km/h)
Weight	Approx. 4.1 kg / 9.04lb.

TX RX Systems Inc.

8625 Industrial Pkwy,

Angola, NY 14006

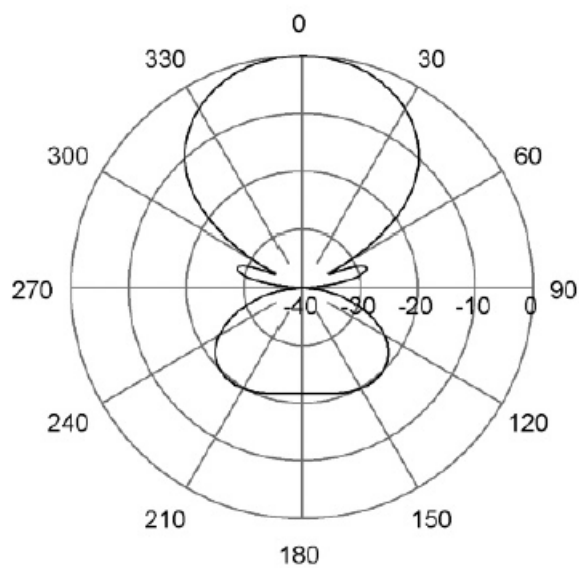
716.549.4700 www.trrx.com



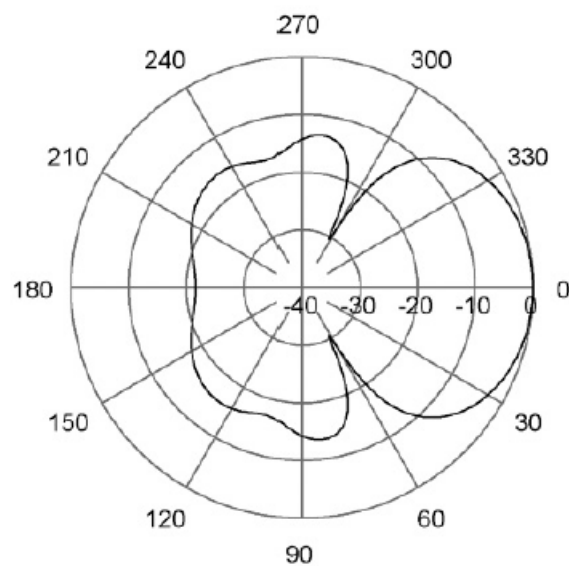
Accessories

Description	Part Number
Galvanized steel crossover bracket 32/50 mm	91-00-104A-54
Pressed steel cross clamp 2" x 1-1/4"	91-00-104A-21
Cast aluminum cross clamp, circular	91-00-104A-C
M8 x 50 mm (2") U-Bolts (1 Pair)	91-00-104-36
M8 x 75 mm (3") U-Bolts (1 Pair)	91-00-104-76
Fixed norstel / coupler clamp (cross clamp)	91-00-104A-N
Increasing sleeve	91-00-104A-SL

Radiation Patterns



E-Plane | 165 MHz



H-Plane | 165 MHz