



5 dBd Base Station Antenna for the 160 MHz Band



Description

- 5 dBd, vertically polarized, omnidirectional base station antenna with a bandwidth of 7-8 MHz
- The antenna is provided with our sturdy type “HD” mast mount, which is a heavy duty, multipurpose mounting bracket made of non-corrosive aluminum. The accompanying U-bolts and fittings are made of stainless steel.
- The antenna can be mounted on mast tubes of 58 to 105 mm in outer diameter. Further, the construction of the mount makes it possible to lead the cable either along the inside or on the outside of the mast tube.
- In designing this antenna, special emphasis has been laid on obtaining a large bandwidth both in relation to VSWR and gain. The phasing of the radiating elements is carefully adjusted to yield maximum gain in the horizontal plane, with the level of the sidelobes reduced to a minimum.
- The antenna element is sealed in a high-quality, conical glass fiber tube with low wind-load, which will ensure performance undisturbed in all climates.
- To substantially reduce noise caused by atmospheric discharges, all metal parts in the antenna are DC-grounded. Consequently, the antenna shows a DC-short across the coaxial cable.
- vibration-proof, lightweight, slim-line, corrosion-resistant, modern style base station antenna

Electrical Specifications

Parameter	Value
Model	See Chart Below
Frequency	Models within the 148 - 172 MHz range.
Antenna Type	High-gain collinear
Max. Input Power	500 W
Polarisation	Vertical
3 dB Beamwidth, E-Plane	18°
3 dB Beamwidth, H-Plane	Omnidirectional
Impedance	50 Ω
Gain	5 dBd (7.2 dBi)
VSWR	< 1.5:1
Bandwidth	7 - 8 MHz
Antistatic Protection	All metal parts DC-grounded (Connector shows a DC-short)
HCM Code(s)	HCM000ND00, 009DE50

TX RX Systems Inc.

8625 Industrial Pkwy,

Angola, NY 14006

716.549.4700 www.txrx.com



Mechanical Specifications

Parameter	Value
Connection(s)	N(f)
Materials	Radome: Polyurethane-coated glass fibre; Mounting bracket: Seawater resistant aluminium, epoxy-coated
Bending Torque	Below HD-bracket, at 150 km/h: Approx. 1.27 kNm
Colour	White (RAL 9003)
Wind Area	0.382 sq. m / 4.11 sq. ft
Wind Load	483 N (160 km/h)
Height	Approx. 6.6 m / 259.84 in.
Weight	Approx. 10 kg / 22.05 lb.
Mounting	On 58 - 105 mm dia. mast tube

Environmental Specifications

Parameter	Value
Operating Temperature Range	-30 °C to +70 °C
Ingress Protection	IP56

Ordering

Model	Freq
104A-38G-5-0-07-N	148 - 155 MHz
104A-39E-5-0-07-N	155 - 162 MHz
104A-40G-5-0-07-N	162 - 169 MHz
104A-40C-5-0-07-N	164 - 172 MHz

TX RX Systems Inc.

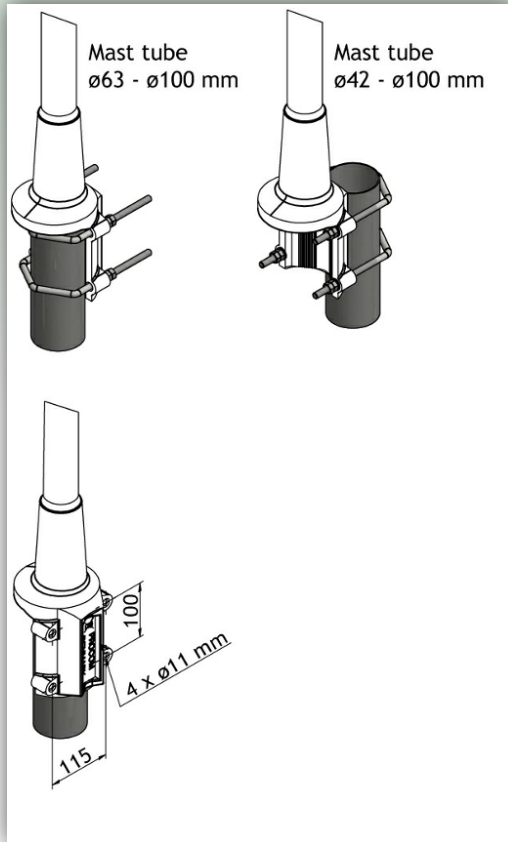
8625 Industrial Pkwy,

Angola, NY 14006

716.549.4700 www.trrx.com

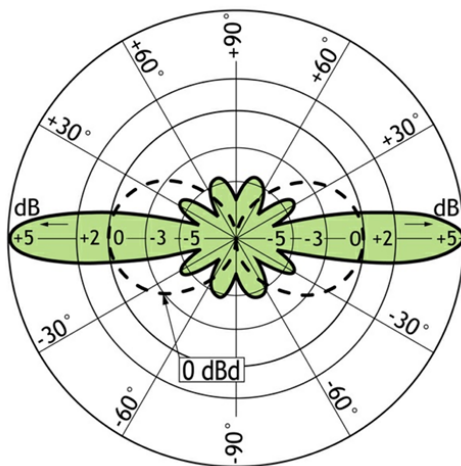


MULTI-PURPOSE MOUNTING BRACKET



PLEASE NOTE

When using the CXL 2-5HD/... at windy locations where wind speeds of more than 150 km/h can be expected, the antenna must be mounted on the side of the mast and the top section of the glass fiber tube stabilized with a bracket. For this purpose the fixated bracket with slidable side mounting clamps (SMC) can be used.



TYPICAL RADIATION PATTERN (E-PLANE)



TYPICAL RADIATION PATTERN (H-PLANE)