

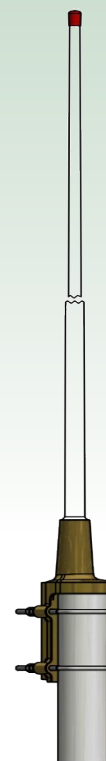


DS038466-2
5/5/2023

Collinear, 5 dBd Base Station and Marine Antenna for 450 MHz Band

Description

- 5 dBd, vertically polarized, omnidirectional base station and marine antenna, which covers the 350 – 620 MHz band in 9 models.
- The antenna is provided with our “C” universal fixation bracket made of epoxy-coated, seawater resistant aluminum. The accompanying U-bolts and fittings are made of stainless steel.
- The antenna can be mounted on 27 to 65 mm dia. mast tubes, and it is possible to run the cable either along the outside or on the inside of the mast tube for more protection.
- The carefully designed radiating element is sealed in a high-quality, conical glass fibre tube with low wind-load, which will ensure performance undisturbed by corrosive environments.
- To substantially reduce noise caused by atmospheric discharges, all metal parts in the antenna are DC-grounded. Consequently, the antenna shows a DC-short across the coaxial cable.
- The exceptional mechanical capabilities of this antenna ensures long dependable service in all environments.



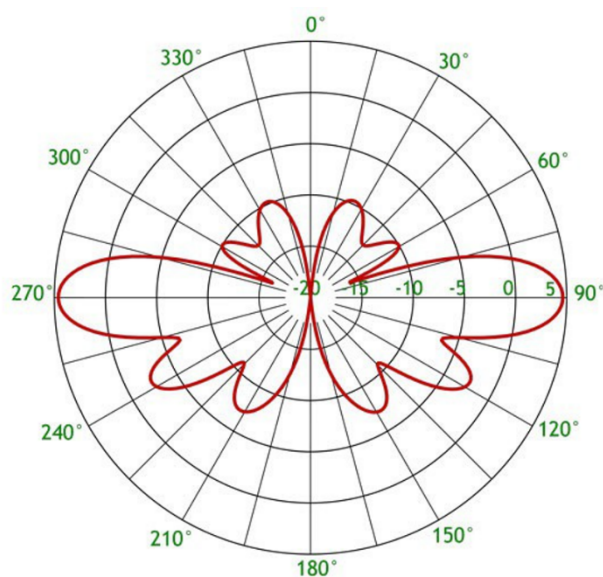
Specifications

Electrical	
Model	See model ordering information table below
Antenna Type	Collinear, broad-band
Frequency Range of operation	30 MHz wide frequency segments within 350 - 620 MHz (see model list below)
Bandwidth	30 MHz
Max. Input Power	150 W
Polarization	Vertical
Pattern Type	Omnidirectional
3 dB Beamwidth, E-Plane	18°
3 dB Beamwidth, H-Plane	Omnidirectional
Impedance	50 Ω
Gain	3 dBd (5.2 dBi)

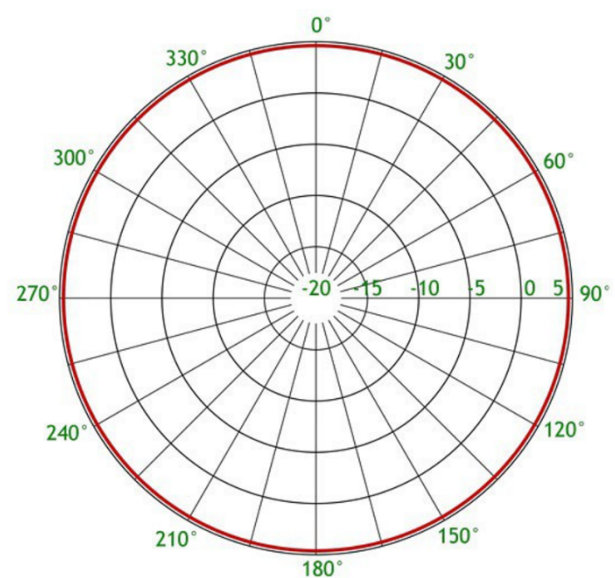
Mechanical	
Connection(s)	N(f)
Materials	Shroud: Polyurethane-coated glass fiber Mounting bracket: Seawater resistant aluminum, epoxy-coated Clamps: Stainless steel
Color	White (RAL 9003)
Wind Area	0.045 sq. m / 0.48 sq. ft
Wind Load	57 N (160 km/h)
Dia. At Top End	13 mm / 0.51 in.
Dia. At Bottom End	25 mm / 0.98 in.
Length	Approx. 2200 mm / 86.61 in. (dep. on freq.)
Weight	Approx. 2.8 kg / 6.17 lb.
Mounting	On 27 - 65 mm / 1.06 - 2.56 in. dia. mast tube (Ordered separately) See Accessories Listed Below
Antistatic Protection	All metal parts DC-grounded (Connector shows a DC-short)
HCM Code(s)	HCM000ND00, 015DE50

Environmental	
Operating Temperature Range	-35 °C to +70 °C
Survival Wind Speed	200 km/h
Ingress Protection	IP66

Radiation Pattern

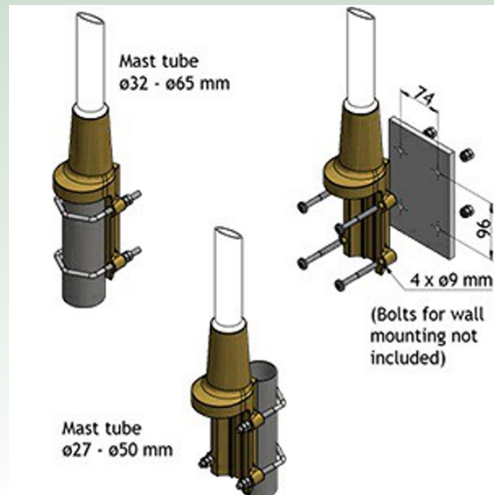


E-Plane



H-Plane

Multipurpose Mounting Bracket



Model Ordering Information:

Model	Description	Type	Frequency Range
104-55F-5-0-07-N	Collinear, broad-band	N(f)	350-370 MHz
104-55G-5-0-07-N	Collinear, broad-band	N(f)	360-390 MHz
104-55H-5-0-07-N	Collinear, broad-band	N(f)	380-410 MHz
104-65-5-0-07-N	Collinear, broad-band	N(f)	406-430 MHz
104-63A-5-0-07-N	Collinear, broad-band	N(f)	420-450 MHz
104-65B-5-0-07-N	Collinear, broad-band	N(f)	440-470 MHz
104-71-5-0-07-N	Collinear, broad-band	N(f)	470-490 MHz
104-74-5-0-07-N	Collinear, broad-band	N(f)	490-520 MHz
104-79-5-0-07-N	Collinear, broad-band	N(f)	590-614MHz